



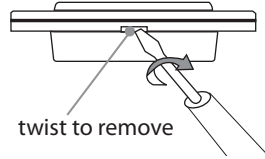
INSTALLATION WARNINGS:

BEFORE COMMENCING INSTALLATION SWITCH OFF THE POWER BY REMOVING THE FUSE IN THE FUSE BOX OR ISOLATE THE MAIN SWITCH AS NEUTRAL IS A LIVE CONDUCTOR. If unit is to be used as a replacement for an existing product, remove existing unit from its location and disconnect the wiring. Connect the wires as shown in diagram below. Ensure terminals are properly tightened and ensure no bare wire is visible. When pushing back in to the backbox ensure no wires are trapped. Read the instructions care fully before starting the installation process and keep them for future reference. This product should be installed in accordance with the relevant sections of the building regulations code, and the current edition of the IEE Wiring Regulations (BS 7671:Requirements for electrical installations) and appropriate statutory regulations. If in any doubt, please contact a qualified electrician.

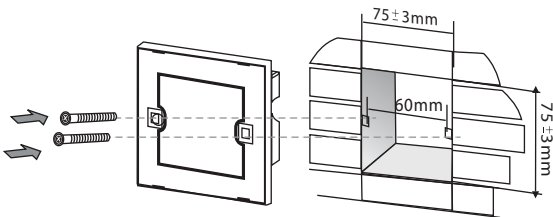
Installation

1. Remove the glass surround

of the switch: Using a small flat screwdriver remove the front cover by placing the screw driver in the location notch on the bottom part of the cover and twist to unclip the cover.



2. Wiring: Wire as described in the diagram below. Push wires firmly into terminals and tighten terminal screws so that wires are held securely. No bare wires should protrude from the terminals. Ensure correct wires are connect to the correct terminals, if incorrectly wired, this could damage the switch.



3. Fix screws: Use the screws supplied to attach switch to backbox using a flat head screwdriver

4. Re-attach the glass Surround:

Align the glass panel over the switch (A) and firmly push (B) to click into place.



Using the light switch

Press the button to turn on and off the light.

Specification

Voltage: 250V ~

Current rating: 10A

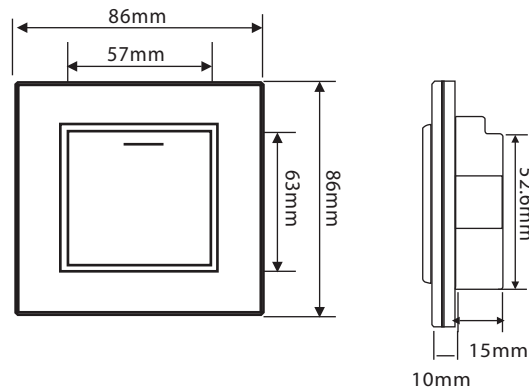
Operating temperature: -5 C to +40 C

Two way switches can be wired as one or two way
Positive switch action

Measurement: 86x86mm

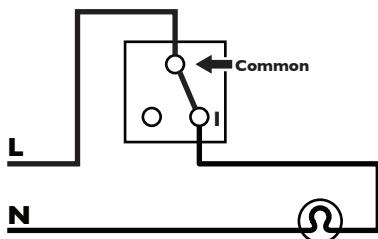
Backbox depth: 25mm

Conforms to BS60669-1 or similar

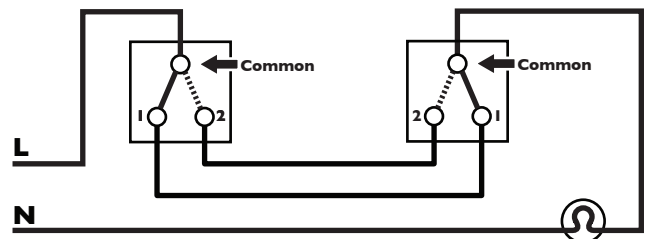


Wiring Diagrams

1 Way Switching



2 Way Switching



Guarantee

All items purchased, come with a 1 year warranty (from date of purchase). Please keep proof of purchase.

